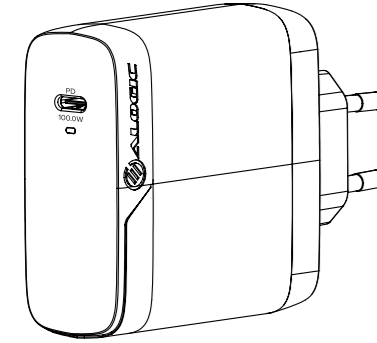


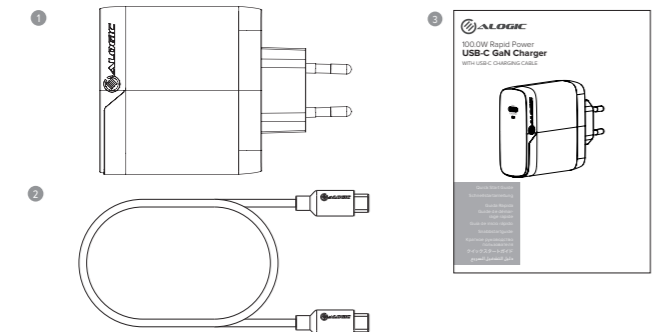


100.0W Rapid Power USB-C GaN Charger

WITH USB-C CHARGING CABLE

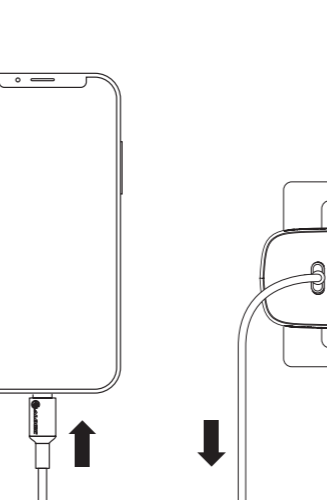
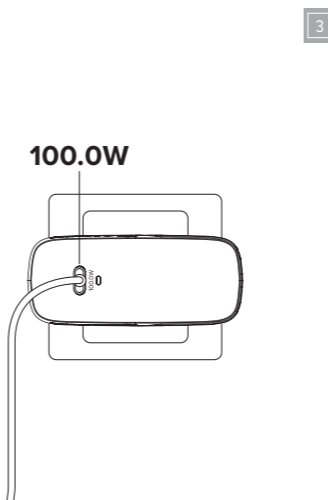
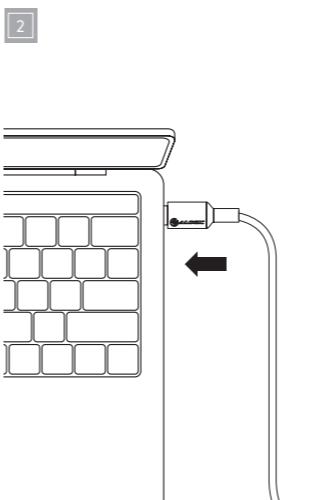
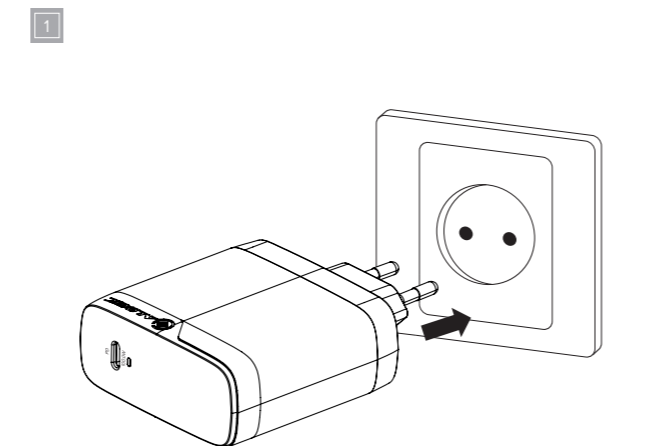
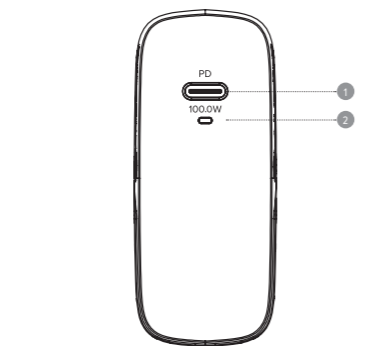


- Quick Start Guide
- Schnellstartanleitung
- Guida Rapida
- Guide de démarrage rapide
- Guía de inicio rápido
- Snabbstartguide
- Краткое руководство пользователя
- クイックスタートガイド
- دليل التشغيل السريع



Package Contents | Packungsinhalt | Contenido del Paquete | Contenu du Colis | Contenuto confezione | Paketets innehåll | Содержимое упаковки | パッケージ内容 | المحتويات

<ul style="list-style-type: none"> 100.0W Rapid Power GaN Charger 100.0W Rapid Power GaN Ladegerät Cargador Eléctrico Rápido GaN 100.0W Chargeur GaN 100.0W à Puissance rapide Caricatore GaN ad alta potenza da 100.0W 	<ul style="list-style-type: none"> 100.0W snabbbladdare med GaN-strömförsörjning Устройство ускоренной зарядки на полупроводниках GaN мощностью 100,0 Вт 100.0W 高速充電 GaNチャージャー شاحن ليتريد الجاليوم سريع الشحن 100.0 وات
<ul style="list-style-type: none"> 2m USB-C to USB-C 100.0W Charging Cable 2m USB-C bis zu USB-C 100.0W Ladekabel Cable de carga de 2m USB-C a USB-C 100.0W Cable d'alimentation USB-C à USB-C de 100.0W, 2 m de longueur Cavo di ricarica USB-C da 100.0W da 2 m 	<ul style="list-style-type: none"> 2m USB-C till USB-C 100.0W laddningskabel Кабель зарядки USB-C - USB-C 100,0 Вт длиной 2 м 2メートル USB-C-USB-C 100.0W充電ケーブル كابل شحن طوله 2 متر، بنهايتين يو.إس.بي-سي (USB-C)
<ul style="list-style-type: none"> User Manual Benutzerhandbuch Manual del Usuario Guide d'utilisation Manuale utente 	<ul style="list-style-type: none"> Användarhandbok Руководство пользователя ユーザーマニュアル دليل الاستخدام



Specifications | Spezifikationen | Especificaciones | Caractéristiques techniques | Specificazioni | Specifikationer | Технические характеристики | المواصفات

Model Modell Modelo Modèle Modello Modell Модели 原形 الطراز	WCG1X100-EU
Dimensions Dimensionen Dimensiones Dimensions Dimensionii Mått Габариты الأبعاد	70 × 68 × 29.5mm (H × D × W)
Weight Gewicht Peso Poids Vikt Bec Peso 重量 الوزن	220g
Output Output Salida Puissance de sortie Potenza Utgång Выход 出力 المخرجات	<ul style="list-style-type: none"> EN USB-C Port - 100.0W (20.0V 5.0A) Max DE USB-C Anschluss - 100.0W (20.0V 5.0A) Max ES Puerto USB-C - 100.0W (20.0V 5.0A) máx FR Port USB-C - 100.0W (20.0V 5.0A) Max IT porta USB-C - Max 100.0W (20.0V 5.0A) SE USB-C-port - 100,0 W (20,0 V 5,0 A) max. RU Порт USB-C - 100,0 Вт (20,0 В, 5,0 А) макс. JP USB-Cポート - 100.0W (20.0V 5.0A) Max AR قدرة (USB-C) منفذ يو.إس.بي-سي 100.0 وات فولت 20.0 بحد أقصى 5.0 أ
Input Eingang Entrada Puissance d'entrée Ingresso Ingång Вход 入力 المدخلات	<ul style="list-style-type: none"> EN 100-240VAC 50*60Hz 1.5A Max DE 100-240VAC 50*60Hz 1.5A Max ES 100-240VAC 50*60Hz 1.5A máx FR 100-240VAC 50*60Hz 1.5A Max IT 100-240VAC 50*60Hz Max 1.5A SE 100-240VAC 50*60Hz 1.5A Max RU 100-240 В, 50/60 Гц, 1.5А макс. JP 100-240VAC 50*60Hz 1.5A Max AR فولت 100 - 240 متردد 50 ~ 60 هرتز، امبير 0.6 كحد أقصى
Warranty Garantie Garantia Garantie Garanzia Garanti الضمان	<ul style="list-style-type: none"> EN 2 Years DE 2 Jahre ES 2 Años FR 2 Ans IT 2 Anni SE 2 år RU 2 года JP 2年 AR سنتان (2)



Instructions

Congratulations on purchasing this quality ALOGIC product. To get the most out of your purchase, please take the time to read these instructions before use.

This product allows you to charge devices using the latest USB Type-C Power Delivery (PD) charging standard. It provides charging of high-power devices such as laptops at up to 100.0W, but can also safely charge smaller devices such as tablets, portable gaming consoles & smartphones.

USB Power Delivery is a new, multi-voltage charging standard that dynamically negotiates power output over a USB Type-C connection allowing you to safely and efficiently charge a wide range of compatible devices from a single charger.

Using the Charger

(Refer to the images on the previous pages)

- Plug the wall charger into a power outlet.
- Connect a laptop, phone, tablet or other device which has a USB-C charging port to the output of the charger. Use the cable supplied with the charger or another USB-C 5.0A rated cable to ensure the connected device charges at the fastest possible speed.
- A device specific cable is required to charge devices which have charging ports other than USB-C (such as a USB-C to Lightning or USB-C to Micro USB cable). ALOGIC USB-C charging adapter cables are available to purchase separate to the charger.

Unplugging your devices when they have finished charging is recommended to prolong the life of the batteries.

Troubleshooting

Problem	Solution
USB-C laptop not charging when connected to the charger	<ul style="list-style-type: none"> Not all laptop USB-C ports support charging using USB-C Power Delivery. This charger should only be connected to the USB-C port in the laptop that supports power pass through or power delivery protocol. Ensure you connect the charging cable to a port on the laptop which supports charging.
Laptop charging slowly	<ul style="list-style-type: none"> Certain high performance laptops can use up to 100.0W or more when performing CPU intensive tasks. The laptop will charge more rapidly when the processing demand is reduced. Ensure you use the charging cable supplied with the charger or another 5.0A (100.0W) USB-C cable when charging laptops. Most USB-C cables only support charging at up to 3.0A (60.0W) or below and won't allow some laptops to charge at full speed.



Designed in Australia. Manufactured in China

