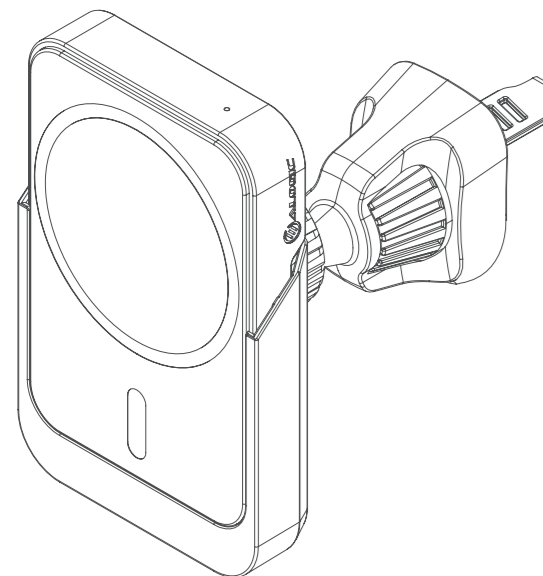
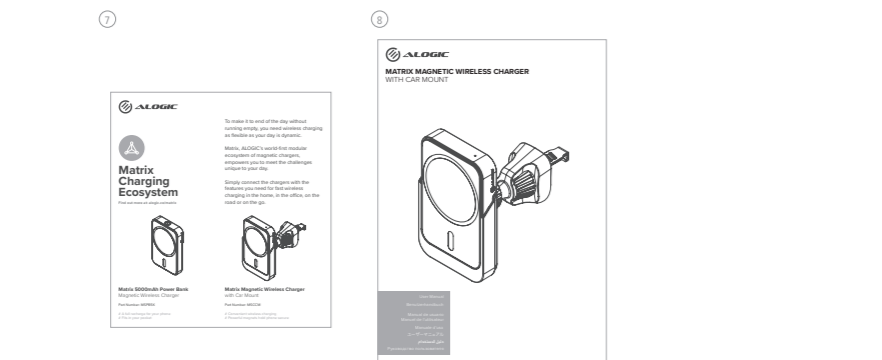
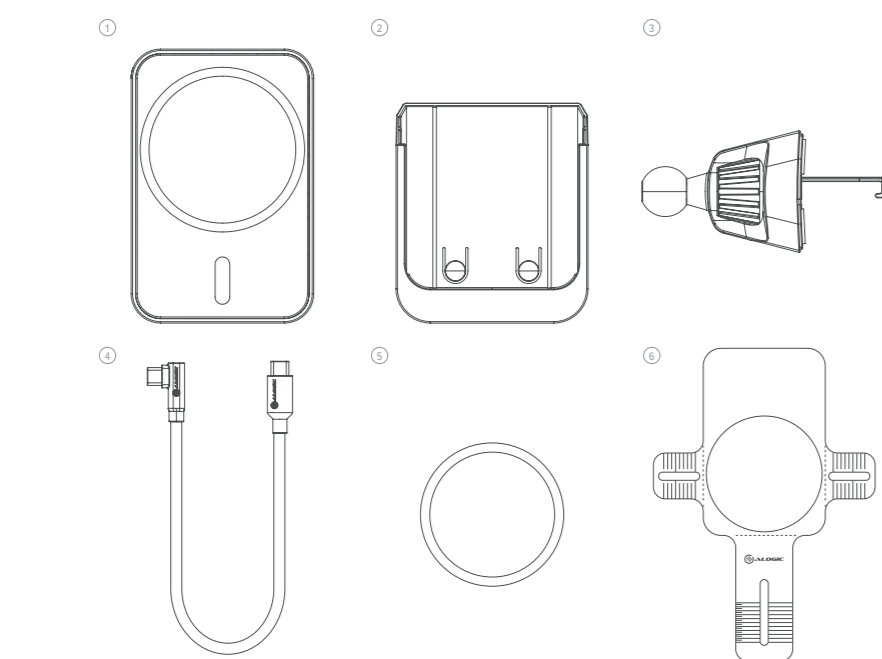




MATRIX MAGNETIC WIRELESS CHARGER WITH CAR MOUNT

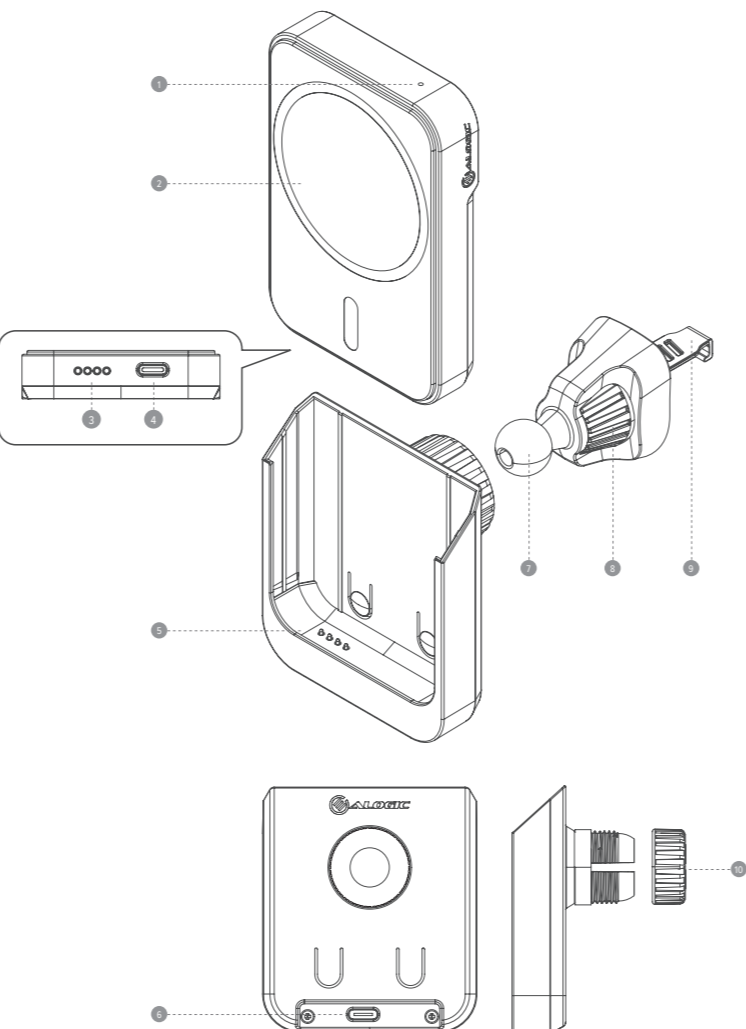


User Manual
Benutzerhandbuch
Manual de usuario
Manuel de l'utilisateur
Manuale d'uso
ユーザーマニュアル
دليل الاستخدام
Руководство пользователя

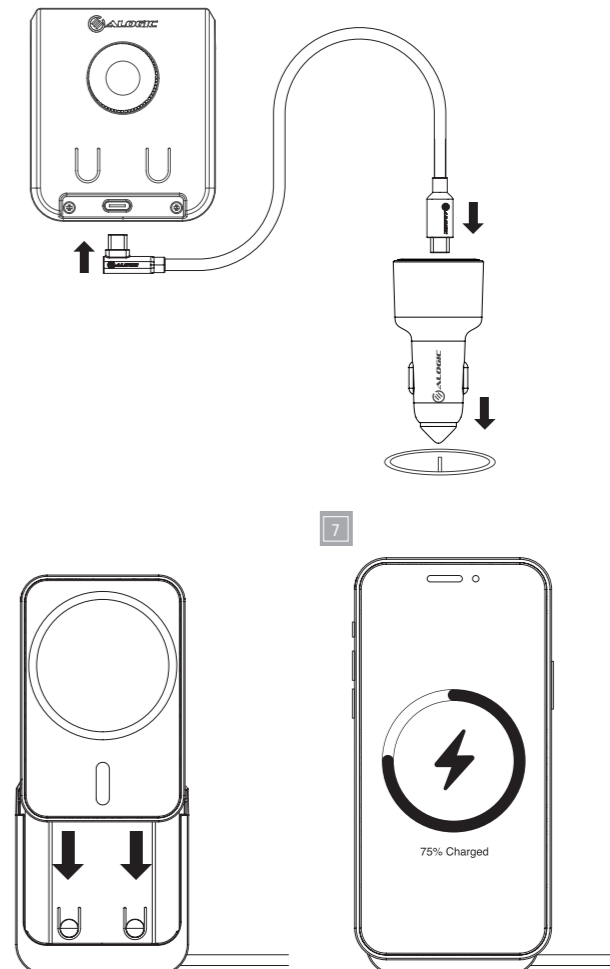
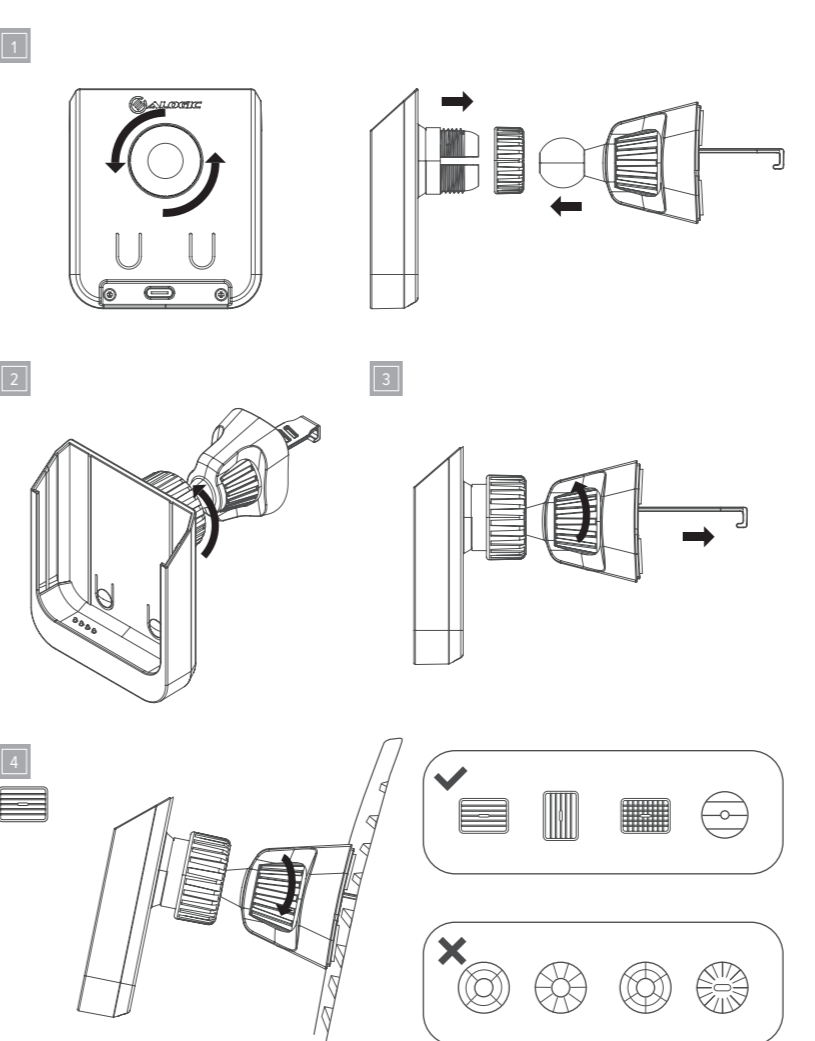


Package Contents | Packungsinhalt | Contenido del Paquete | Contenu du Colis | Contenuto confezione | パッケージ内容 | محتويات الحزمة | Содержимое упаковки

| | | |
|---|---|--|
| 1 | Magnetic Charging Pad | |
| 2 | Car Mount Cradle | |
| 3 | Car Air Vent Holder | شاحن ساعة ابل |
| 4 | Right angle USB-C to straight USB-C cable | |
| 5 | Magnetic Ring Magnetring Anillo magnético Anneau magnétique | Anello magnetico マグネットリング حلقة مغناطيسية Магнитное кольцо |
| 6 | Alignment Tool | |
| 7 | Matrix Ecosystem Brochure | |
| 8 | User Manual Betriebsanleitung Manual de usuario Manuel d'utilisation | Manuale dell'utente ユーザーマニュアル دليل الاستخدام Руководство пользователя |



| | | |
|----|---|---|
| 1 | LED Indicator LED-Anzeige Indicador LED Indicateur LED | Indicatore LED LED-インジケータ مؤشر الـLED Светодиодный индикатор |
| 2 | Magnetic Wireless Charging Pad | |
| 3 | Connector to Car Mount Cradle | |
| 4 | USB-C Port USB-C Port Puerto USB-C Port USB-C | Porta USB-C USB-Cポート منفذ يو إس إس-سي (USB-C) Порт USB-C |
| 5 | Connector to Wireless Charging Pad | |
| 6 | USB-C Port USB-C Port Puerto USB-C Port USB-C | Porta USB-C USB-Cポート منفذ يو إس إس-سي (USB-C) Порт USB-C |
| 7 | Rotatable Ball Joint | |
| 8 | Locking Knob | |
| 9 | Adjustable Hook | |
| 10 | Nut | |



Specifications | Spezifikationen | Especificaciones | Caractéristiques techniques | Specificazioni | 仕様書 | المواصفات | Технические характеристики

| | |
|---|--|
| Model Modell Modelo Modèle Modelo 型番 المواصفات Модел | MSCCM MSCCMWH |
| Dimensions Dimensionen Dimensiones Dimensionen Dimension 大きさ الارتفاع Габарити | 103 x 75 x 65mm (H x D x W) |
| Weight Gewicht Peso Poids Peso 重量 الوزن Вес | 122g |
| Output Output Salida Sortie Output 出力 الخروجات Выходы | MagSafe Wireless Qi Charging 5W/7.5W/10W/15W |
| Input Input Entrada Entrée Input 入力 الإدخال Вход | USB-C PD 20W |
| Power | 15W Max |
| Warranty Garantie Garantia Garantie Garanzia 保証 الضمان Гарантія | 2 Years / 2 Años / 2 Anni / 2 سالان / 2 rosi 2 Jahre / 2 Ans / 2年 |

FCC Compliance Statement

This device complies with Part 15 of the FCC Rules. Operation is subject to the following two conditions:
(1) This device may not cause harmful interference, and
(2) This device must accept any interference received, including interference that may cause undesired operation.
NOTE: Changes or modifications not expressly approved by the party responsible for compliance could void the user's authority to operate the equipment.

Declaración de Cumplimiento FCC

Este dispositivo cumple con la Parte 15 de las reglas de la FCC. El funcionamiento está sujeto a las dos condiciones siguientes:
(1) Este dispositivo puede no causar interferencias perjudiciales y
(2) Este dispositivo debe aceptar cualquier interferencia recibida, incluidas las interferencias que puedan causar un funcionamiento no deseado.
NOTA: Cambios o modificaciones no aprobados expresamente por la parte responsable del cumplimiento pueden invalidar la autoridad del usuario para operar el equipo.

EU Declaration of Conformity

ALOGIC USA LLC
37524 Marston DR
Newark CA 94560 USA

Hereby, ALOGIC Corporation declares that this product is in compliance with Directive 2014/53/EU. The full text of the EU declaration of conformity is available at the following internet address by clicking on the Compliance Documentation link: www.alogic.co



Operating Instructions

(Refer to the images on the previous pages)

Device Set Up

- 1 Loosen the nut 1 by turning it anti-clockwise and connect the Ball Joint 2 of the mount.
- 2 Fasten the nut 1 by turning it clockwise to tighten.
- 3 Loosen Locking Knob 3 by turning it anti-clockwise and adjust the Hook 4.
- 4 Push the Hook 4 forward into the air vent outlet of the car and fasten it with the Locking Knob 3.

*** Windshield/ Dashboard Mount (Optional - Sold separately - MSCWCM)**

4a. **Windshield Installation option**
Choose a location on the windshield and wipe any dust or debris from the surface. Press the suction cup firmly. Move the latch to the lock position to establish a firm seal between the mount and the windshield. The mount can also be used on a flat surface on the dashboard by following the same steps.

- 5 Connect the available USB-C angle cable to the USB-C port 5 on the Car Mount Cradle. Connect the other end to the USB-C port of your car charger or port.
 - ** Most USB ports in cars don't have enough power output to support wireless charging at full speed. Please use a port or charger with at least 20W output.
 - ** 12V plug in car charger is sold separately.

- 6 Insert the Wireless Charging Pad into the Car Mount Cradle.

*** Matrix 5000mAh Wireless Power Bank (Sold Separately - MSPB5K)**
The Matrix MagSafe Power Bank 5000mAh Wireless Charger (sold separately) can replace the Wireless Charging Pad. Please refer to the Matrix Ecosystem Brochure.

Charging MagSafe Wireless Devices

- 7 Mount your MagSafe-enabled device by placing it on the centre of the MagSafe Wireless Charging Base. The integrated magnets will align the phone with the charger.

| LED status | Device Behavior |
|---------------|-----------------------------------|
| Solid White | Connected to power |
| Pulsing White | Currently charging |
| Flicking Red | Metal or abnormal object detected |
| OFF | Power off |

Troubleshooting

| Symptom | Solution |
|---|---|
| Wireless device does not commence charging | <ul style="list-style-type: none"> • Align the centre of the device roughly with the MagSafe outline. • Ensure that your device supports MagSafe or Qi wireless charging. • Most USB ports in cars don't have enough power output to support wireless charging effectively. Please use a port or charger with at least 12W output. |
| Wireless device stops charging before fully charged | <ul style="list-style-type: none"> • Thick cases can interfere with wireless charging. Please make sure your case is MagSafe compatible. • Most USB ports in cars don't have enough power output to support wireless charging effectively. Please use a port or charger with at least 12W output. |

Warnings

- This device uses inductive charging. Do not place metallic objects (aside from devices which support wireless charging) on top of the charging pad.
- Avoid placing phone cases which include metallic portions on the charger. In rare cases it may not be possible to detect smaller metallic objects, such as foil logos on phone cases, and the charger may continue to operate. In these cases, the metallic object will heat up and may cause damage to the device being charged over time.
- This device is designed for indoor use only.
- Do not deliberately damage the device or expose it to damp, direct sunlight, or high temperature conditions.
- It is normal for the device to be slightly warm to touch during operation. Provide adequate ventilation and do not cover the device while in operation.
- Disassembling or failing to properly use and care for your device will void the warranty on the product.
- Do not use the product if it is damaged as this could pose a risk of causing damage to connected devices.
- ALOGIC bears no responsibility for damage to the device or incidental damages arising from improper use or lack of care. ALOGIC will not be held liable for repair or replacement of the device or other damages in these circumstances.